

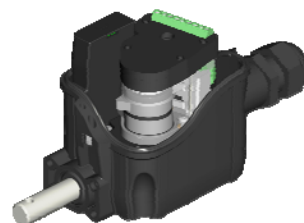
## GEARED CAM LIMIT SWITCHES

# ARLSB

- Ratio range 1:16 to 1:800
- Single ended shaft
- Precise adjustment of each CAM
- Heavy duty design
- Available with 1 contact assy (4 contacts max.)
- IP 67
- 1 NO, 1NC contact / CAM (standard )



The ARLSB series rotary limit switch is used to control the movement of industrial machinery. It operates as an auxiliary controller of electrical motors through a power interface, such as a contactor or PLC. Its shaft can be connected to the motor and, after a set number of revolutions, the cams operate the switches, thus starting the predetermined movement.



Typical applications are lifting, travelling and slewing gears of cranes, yaw and pitch control in wind power stations, bucket elevators, etc.

ARLSB

Specifications	
Weight	approx 0.6 kg
Housing material	Techno-polymer
Shaft	stainless steel shaft, 12 mm diameter (AISI 430F)
Ball bushing	
Speed	800 rpm max.
Pinion	M6 to M22, different numbers of teeth available
Gear ratio (standard)	1:15, 1:20, 1:25, 1:50, 1:75, 1:100, 1:150, 1:200, 1:250
Internal helical gear	Techno-polymer
Independent mechanical output	1 output
Protection class	IP67 acc. EN60529
Working temperature	from -40 °C to +80 °C
Storage temperature	from -40 °C to +80 °C
Product certification	CE

Specifications of microswitch	
Electrical rating	AC 15 / 250 V / 3A
	DC 13 / 60 V / 0,5A
Rated thermal current	10A
Rated insulation voltage	300V AC
Mechanical life	1x10 <sup>6</sup> operations
Connections	Screw-type terminals with self lifting pads
Tightening torque	0,8 Nm
Product certification	CE

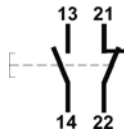


Meyer Industrie-Electronic GmbH – MEYLE

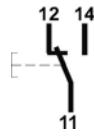
Carl-Bosch-Straße8 Tel.:+49 5481-9385-0 Internet: www.meyle.de  
49525 Lengerich/Germany Fax:+49 5481-9385-12 E-Mail: sales@meyle.de

## GEARED CAM LIMIT SWITCHES

### Switch connection



Contact type a (standard)

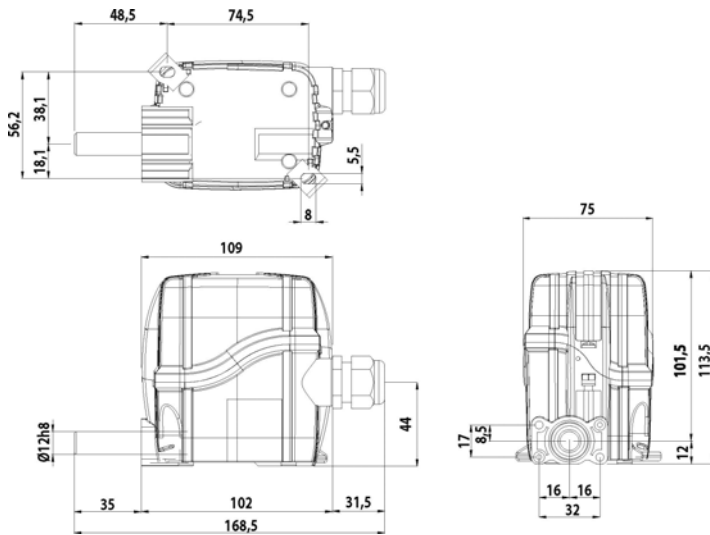


Contact type b

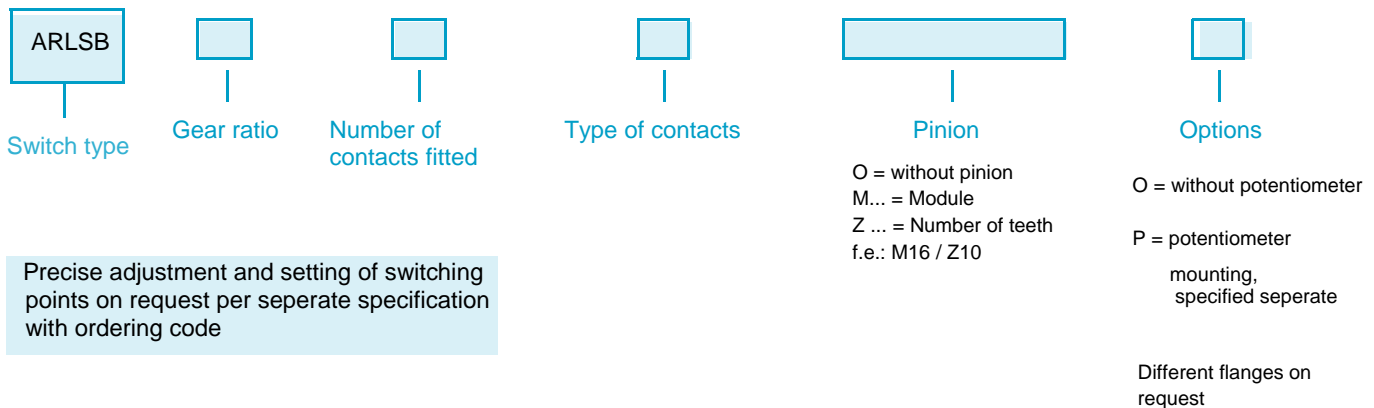
### CAMs



### Dimensions



### Ordering Code / Type Key



Precise adjustment and setting of switching points on request per separate specification with ordering code

Example: ARLSB 100 4A M16Z10 O  
 (ratio 1:100, 4 contacts type a, pinion M16 with 10 teeth, no options)

