

Multiple Level Switch LS-400E (1 - 4 switch points)

Max. contact loads of the reed switch:
 SPST 50 VA; 0.5 A; 250 VAC (NC/NO).
 SPDT 10VA; 0.3A; 100 Vdc
 (Higher voltage on request).
 The data NC/NO are defined for an empty tank.

Specifications

Materials		
Stem	Brass	Stainless Steel
Mounting element	Brass	Stainless Steel
Float	Buna N	Stainless Steel
Operating Pressure	10 bar	20 bar
Float Temperature*	-20°C ... +80°C Water -20°C ... +110°C Oil	-20°C ... +150°C
Min. specific gravity of the liquid	0.46 g/cm ³	0.85 g/cm ³
Depth of immersion at a density of 1	~9mm	~21mm
Protection rating	IP65 (IP64 for Potted Cable/Leads)	

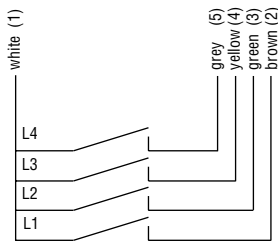
*Please see also "Electrical connection"



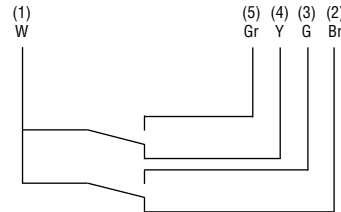
Switching groups

(Pin correlation of the plug connectors)

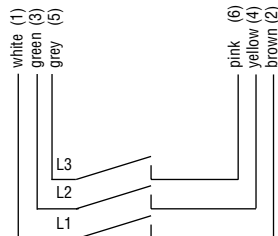
Group 1



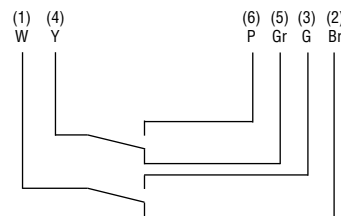
Group 3



Group 2



Group 4

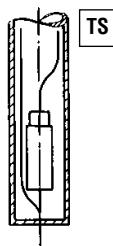


Temperature Switch

For large or OEM applications the LS-400E may be fitted with a temperature switch. It is installed at the lower end of the stem and reduces the number of switch points by one.

Maximum Rating 2A, 120Vac, 2A, 24Vdc.

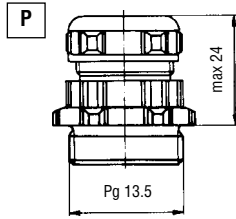
For full specification contact your sales office.



Electrical Connection

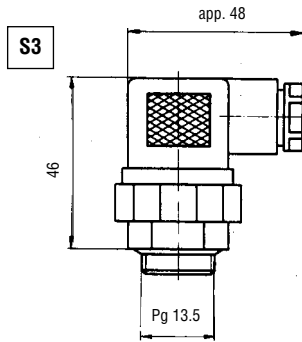
Pg 13.5 Cable gland

Cable (PVC=0.34mm² or 0.25mm²)
 standard length appr. 1m;
 Temperature: -20 ... +80°C



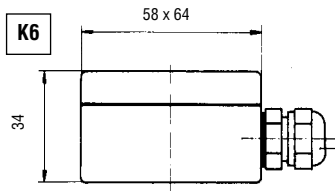
Plug connector acc. DIN 43650

3 poles + earth
 Temperature: -20 ... +90°C



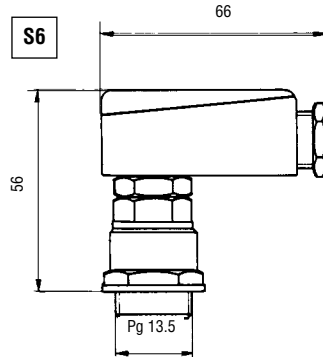
Terminal box 6-poles

Temperature: -20 ... +150°C

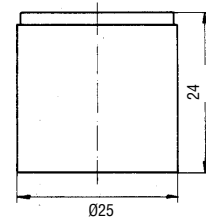


Plug connector acc. DIN 43651

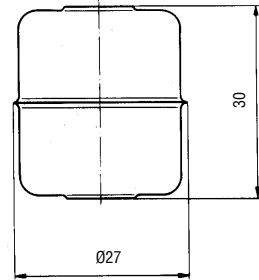
6 poles + earth
 Temperature: -20 ... +90°C



Floats

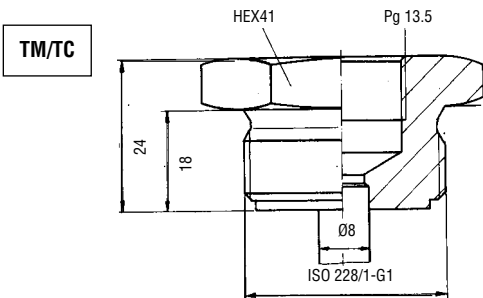


N = Buna N

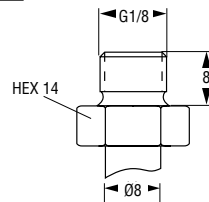


C = Stainless Steel

Mounting Element

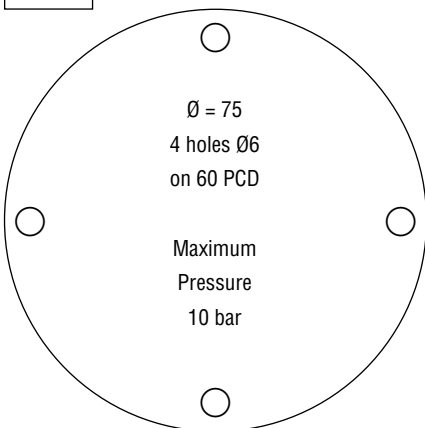


CM/CC

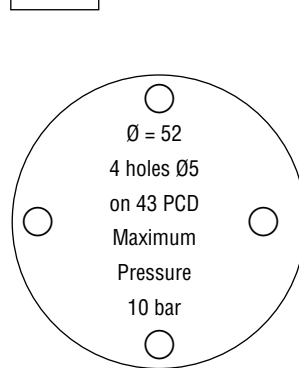


Available with potted cable/leads only.

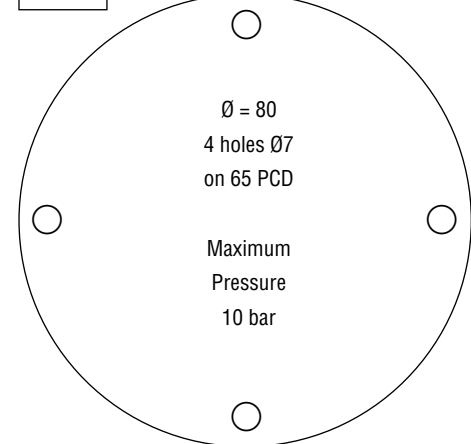
BM1



BM2



BM3



Flanges are only available with DIN 43650 Connector or Potted Cable/Leads.

Flange thickness = 8mm

Standard flanges shown

Other flanges available for OEM applications.

LS-400E Multiple Level Switch check list

(Please copy and use as order form)

Customer: _____

Order no.: _____ Quantity: _____

Application specific data:

(Please complete fully and accurately)

- 1. Medium _____
- 2. Pressure (bar): Min _____ Max _____
- 3. Temperature (°C): Min _____ Max _____
- 4. Specific gravity (g/cm3): _____ Min _____ Max _____
- 5. Viscosity (SSU): _____
- 6. Tank: Material _____ Depth _____
- 7. Connection periphery (eg relay, PLC,.....): _____

LS-400E - 1. 2. 3. 4. 5. 6.

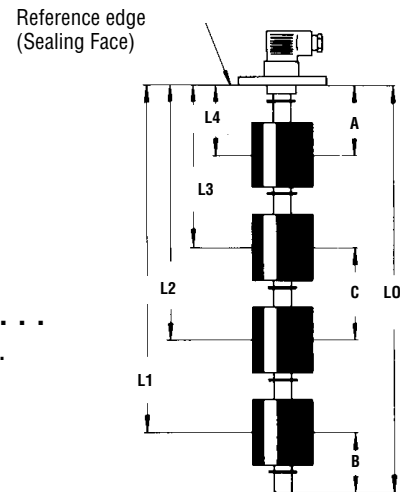
- 1. **Mounting direction:** Through tank top **O**
Through tank bottom **U**
- 2. **Mounting Tank screw:** Brass **TM**
Stainless Steel **TC**
Flange ø75: Brass **BM1**
ø52: Brass **BM2**
ø80: Brass **BM3**
Put in Plug G1/8: Brass **CM**
Stainless Steel **CC**
- 3. **Floats:** Buna N **N**
Stainless Steel **C**
- 4. **Electrical connection:** Plug connector DIN 43650 **S3**
max. switch points Group 1=2, Group 2=1
Plug connector DIN 43651 **S6**
Cable and gland **P**
Potted Cable **VC**
Potted Leads **VL**
Terminal box 6-poles **K6**
- 5. **Switching group:** Group 1 **1**
Group 2 **2**
Group 3 (10VA, 0.3A, 100Vdc) **3**
Group 4 (10VA, 0.3A, 100Vdc) **4**
- 6. **Options:** Bent Stem **BS**
Temperature Switch **TS**

Please specify each non listed part:

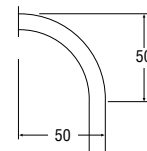
Dimensions

- L₀** = 800mm max.
- A** = min. from reference edge to highest switch point.
- B** = min. from stem end to lowest switch point.
- C** = min. between two switch points
- D** = min. dual action
(One float actuates two switch points).

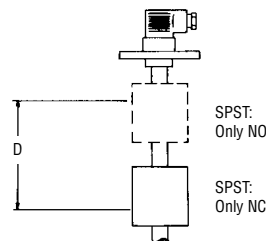
Stem	Brass	Stainless Steel
A	38mm	46mm
B	23mm	35mm
C	44mm	60mm
D	3mm	3mm



Bent Stem Option



Add 50mm to 'A' Dimension



Level dimensions (Tolerances ± 3mm) related to the mid of float.

Distance level	NO	NC	SPDT
L1 =	<input type="checkbox"/>	<input type="checkbox"/>	<input type="checkbox"/>
L2 =	<input type="checkbox"/>	<input type="checkbox"/>	<input type="checkbox"/>
L3 =	<input type="checkbox"/>	<input type="checkbox"/>	
L4 =	<input type="checkbox"/>	<input type="checkbox"/>	
L0 =	±2mm	max. 800 mm	