

FS-4 0.4 - 6.0 (l/min) with pre-adjusted set points

The FS-4 Series makes flow protection economical for a broad range of industrial applications such as business machines, heavy duty floor cleaners, commercial dishwashers and beverage dispensing equipment.

Specifications (All pressure data related to water at +20 °C)

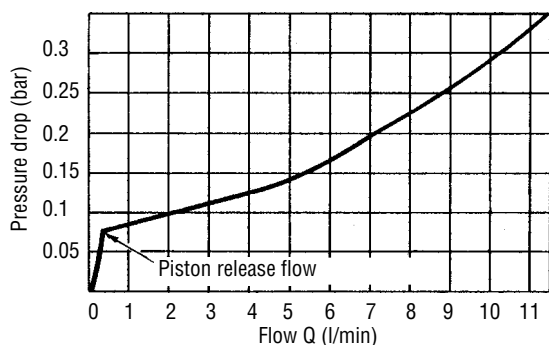
Max. flow	12 l/min
Max. operating pressure	20 bar
Proof pressure	30 bar
Max. temperature	+107 °C (Ambient +80°C for cable)
Set points	see order number
Switching function (related to increasing flow)	NC, NO, SPDT
Factory mounting position with set point adjustment	vertical, inlet port down
Repeatability	± 1%
Adjustment accuracy	±15%
Hysteresis	max. 20%
Mounting	9/16"-18 UNF-2B, with adapter: G1/4"
Electrical connections (length: approx. 1 m)	— lead wire: FEP, 0.6 mm ² — cable: PVC, 0.34 mm ²
Enclosure	IP 65
Electrical data contact rating	NC/NO: 100 VA; 3 A; 220 V~ SPDT: 20 VA; 0.5 A; 220 V~
Weight	0.1 kg

Order numbers

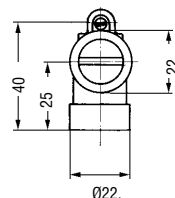
set points (l/min)	order number lead wire		
	NO	NC	SPDT
0.4	024-4714	024-4720	024-4726
1.0	024-4715	024-4721	024-4727
2.0	024-4716	024-4722	024-4728
3.0	024-4717	024-4723	024-4729
4.0	024-4718	024-4724	024-4730
6.0	024-4719	024-4725	024-4731

set points (l/min)	order number cable		
	NO	NC	SPDT
0.4	020-0242	020-0248	020-0254
1.0	020-0243	020-0249	020-0255
2.0	020-0244	020-0250	020-0256
3.0	020-0245	020-0251	020-0257
4.0	020-0246	020-0252	020-0258
6.0	020-0247	020-0253	020-0259

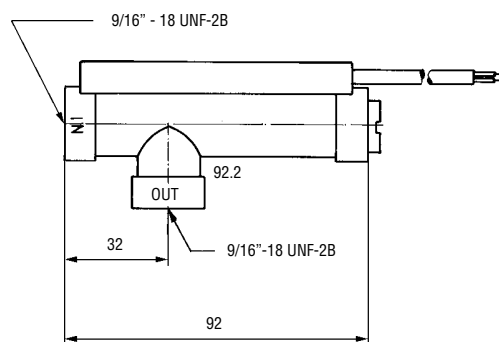
Pressure drop diagram (at min. set point adjustment)



Dimensions (in mm)



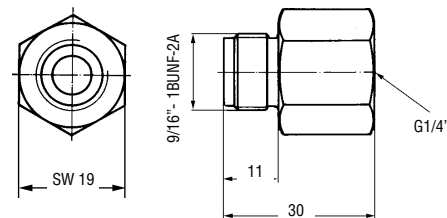
Housing: Ryton®
Piston: Ryton®
Spring: Stainless Steel
O-Ring: Viton®



Adaptors

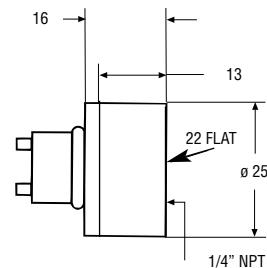
Please use adaptor only in connection with supplied Viton O-Ring.
Brass Adaptor 9/16"-18UNF-2B to G 1/4" with Viton O-Ring

912-0616



Ryton Adaptor 9/16"UNF-2B to 1/4" NPT with Viton 'O' ring

123029



Wiring diagram

