

FS-150 2.0 - 18.5 (l/min) with pre-adjusted set points

straight flow path with low pressure drop

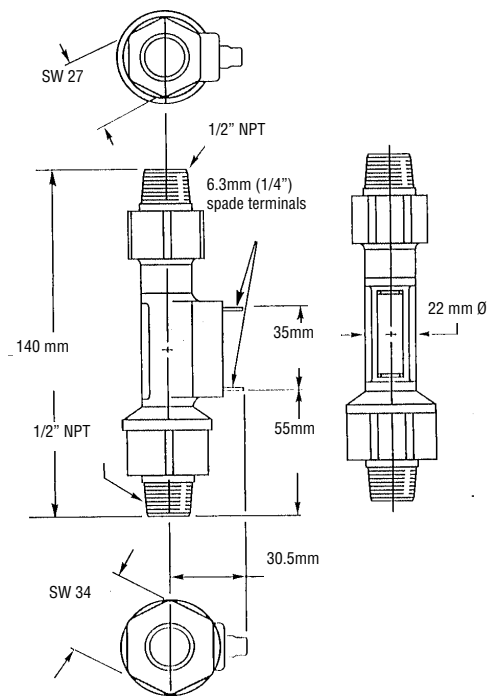
The FS-150 slim, inline switches reduce pressure drop to a minimum. They incorporate a unique, dual-diameter, internal bore and piston configuration to minimize flow constriction. Liquids are able to smoothly pass around the piston and flow through the switch with little pressure loss to the down stream line.

Specifications (All pressure data related to water at +20 °C)

Operating pressure	14 bar
Operating temperature	-17 °C . . . +100 °C
Set point accuracy	±15%
Set point differential	20% max.
Switch	SPST, 20 VA
Inlet / outlet ports	1/2" NPT male
Electrical Termination	6.3 mm (1/4") spade terminals (2)



Dimensions (in mm)



How to order

Standard models (medium: water)

Specify part number based on flow setting and switch operation (see chart next column).

For liquids other than water

Special calibration is available from MEYLE for media other than water. Please consult factory with your requirements, including flow media, operating pressure, flow set point and liquid viscosity (SSU).

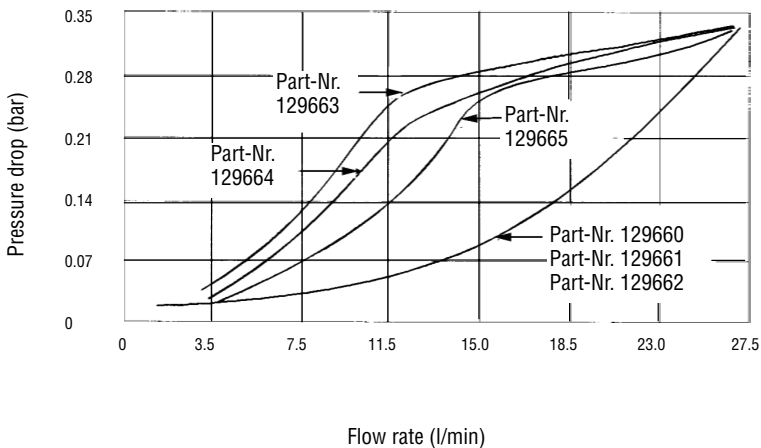
Order numbers

set points (l/min)	NO	NC
2.0	129660	129666
3.5	129661	129667
7.5	129662	129668
11.5	129663	129669
15.0	129664	129670
18.5	129665	129671

Notes:

1. Flow settings are calibrated using water + 20 °C on increasing flow, with units in horizontal position (terminals upwards).
2. Care should be taken to ensure fluid compatibility with the above listed wetted materials.
3. Use of 150 micron filtration is recommended.

Pressure drop - typical



Housing: Polypropylene (hydrolytically stable)
 Piston: Ryton®-R4 316 Stainless Steel
 O-Ring: Viton®
 Spring: 316 Stainless Steel

Test conducted with units in a horizontal position (terminals upwards), with water a 20°C