

- The high security level of our safety light curtains systems create a protected infrared two-dimensional field that makes it particularly suitable in critical industrial production applications where persons work in close vicinity to increasingly powerful and faster machinery: robot welding machine, presses, etc. otherwise in painting plant control environments or in stock inventory applications. The safety light curtain has a sender and a receiver, integrated by an external power supply unit provided with a safety relay conforming to norms.
- The system controls the safety of operator during various phases: finger, hand, body and thanks to its compact dimensions and easy installation represents a downright "safety door".
- The safety light curtain maintains a constant functionality regardless of the operating distance, the correct functionality is independent of dust deposits and the state of the curtain is indicated on a numeric display in real-time. Available in 14, 30 and 50 mm resolution models for small object detection (finger and hands) and in 1-2-3-4 ray models for perimeter access protection in dangerous areas, therefore suitable for larger object dimensions (limb and body).
- Choice of types must be based on level 2 or 4 as per EN61496-2 norm, depending on the risk evaluation procedure that helps establish the suitable security level in proportion to hazards.



	AREA MODELS - LEVEL 2				PERIMETER MODELS - LEVEL 2		
	NLV205A	NLV205AT	NLV217A	NLV217AT	NLV205P	NLV260P	NLV205PT
Operating distance mt	0,1 – 5	0,1 – 5	0,3 – 17	0,3 – 17	0,1 – 5	4 – 60	0,1 – 5
Protection area height (aaa) mm	150-300-450-600-750-900-1050-1200-1350-1500				60-300-450-600-750-900-1050-1200 1350-1500-1650-1800-1950		
Resolution (rr) mm	14-30-50 (20-35-40 upon request)						
Beams (bb) n°	-				1-2-3-4		
Response time ms	>30				>50		
Output with disactivated barrier	Relay output 1 N.O. contact Imax. 1A 30 VDC	Relay output 1 N.O. contact referred to +24V	Relay output 1 N.O. contact Imax. 1A 30 VDC	Relay output 1 N.O. contact referred to +24V	Relay output 1 N.O. contact Imax. 1A 30 VDC		Relay output 1 N.O. contact referred to +24V
Inputs	Restart / Muting Test	Test	Restart / Muting Test	Test	Restart / Muting Test		Test
Power supply V	24 VDC ±20 %						
Absorption A	0,4						
Operating temperature °C	-10 – +60 °C						
IP Rating	IP 65						
Connection	Cable pair + Connectors M23 12 / 16 poles	Cable pair + Connectors M12 5 / 5 poles	Cable pair + Connectors M23 12 / 16 poles	Cable pair + Connectors M12 5 / 5 poles	Cable pair + Connectors M23 12 / 16 poles		Cable pair + Connectors M12 5 / 5 poles

	AREA MODELS - LEVEL 4				PERIMETER MODELS - LEVEL 4		
	NLV405A	NLV405AT	NLV417A	NLV417AT	NLV405P	NLV460P	NLV205PT
Operating distance mt	0,1 – 5	0,1 – 5	0,3 – 17	0,3 – 17	0,2 – 5	4 – 60	0,2 – 5
Protection area height (aaa) mm	150-300-450-600-750-900-1050-1200-1350-1500				160-300-450-600-750-900-1050-1200 1350-1500-1650-1800-1950		
Resolution (rr) mm	14-30-50 (20-35-40 upon request)						
Beams (bb) n°	-				1-2-3-4		
Response time ms	>30				>50		
Output with disactivated barrier	Relay output 2 N.O. contact Imax. 1A 30 VDC	Relay output 2 N.O. contact referred to +24V	Relay output 2 N.O. contact Imax. 1A 30 VDC	Relay output 2 N.O. contact referred to +24V	Relay output 2 N.O. contact Imax. 1A 30 VDC		Relay output 2 N.O. contact referred to +24V
Inputs	Restart / Muting Test	Test	Restart / Muting Test	Test	Restart / Muting Test		Test
Power supply V	24 VDC ±20 %						
Absorption A	0,4						
Operating temperature °C	-10 – +60 °C						
IP Rating	IP 65						
Connection	Cable pair + Connectors M23 12 / 16 poles	Cable pair + Connectors M12 5 / 5 poles	Cable pair + Connectors M23 12 / 16 poles	Cable pair + Connectors M12 5 / 5 poles	Cable pair + Connectors M23 12 / 16 poles		Cable pair + Connectors M12 5 / 5 poles

SAFETY MODULES AND SYSTEMS

NLV-PS Power supply for safety light curtain series NLV:



This device is suitable to power, in two separate outputs at 24 VDC, transmitter and receiver of a single light curtain of the series NLV2 or NLV4.

It can be supplied alone or together with a security module NLV-SM and is available with two energy voltages: at 110 and at 220 VAC.

The unit is protected internally against short circuits and voltage peaks.

NLV-SM Security module for safety light curtain series NLV:



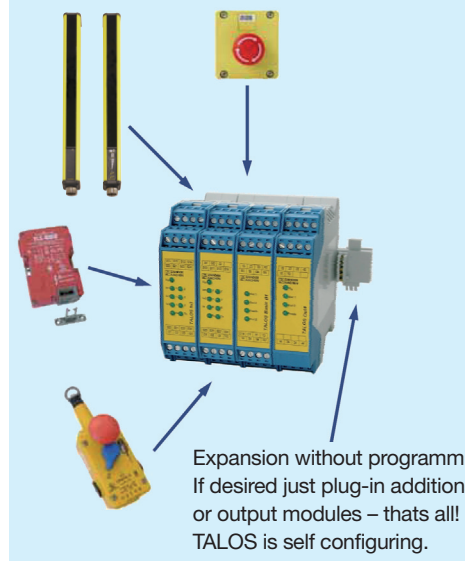
This device, capable of receiving a signal from a safety curtain of series NLV2 or NLV4, has a built-in safety relay with guided contacts of which 3 are normally open and 3 are normally closed as well as a normally closed auxiliary output. The NLV-SM module can be supplied alone or paired to power supply unit NLV-PS.

Voltage supply is 24 VDC.

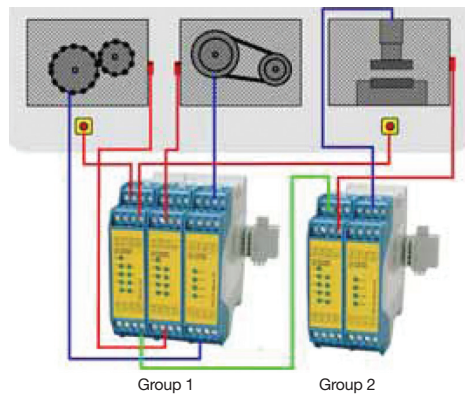
NLV-PS and NLV-SM Common characteristics:

- Certified for level 4 application
- DIN mounting
- IP20 rated
- Working temperature limits -10 to +60 °C
- Conforming to European norms and directives
 - 89/392 / CEE MACHINE DIRECTIVE
 - 89/336 / CEE ELECTROMAGNETIC COMPATIBILITY DIRECTIVE
 - 73/23/CEE LOW VOLTAGE DIRECTIVE
 - EN61496-1 and IEC1496-2 ELECTRICAL SENSIBLE PROTECTION UNITS
 - EN13849-1 SAFETY SYSTEM COMMAND PARTS

Application examples in combination with Meyle Talos® plug & play safety systems



Safety light curtains, emergency stop buttons, safety switches, interlock switches, safety rope switches, non contact safety switches... All of them can be connected easily and directly to TALOS. And of course up to the highest safety category 4 / SIL3!



With TALOS an installation consisting of several safety light curtains, guard doors, emergency stop buttons and drives can be protected individually. The specified example shows that severe injuries caused by the moving machine parts are possible if the guard doors would be opened and the drives not reliably switched-off. And if furthermore a more frequent access to the dangerous area is necessary and a dangerous situation is not be signalled, then the complete safety installation needs to comply with the safety category 4 according to EN 954-1. With the TALOS system you fulfil these requirements without restrictions.

Monitoring of 3 safety light curtains and 2 emergency stop buttons, interruption of 3 drives, grouping in 2 groups with higher-level stop switch